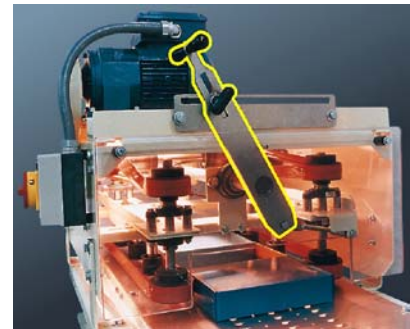
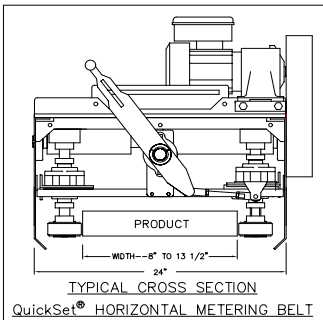
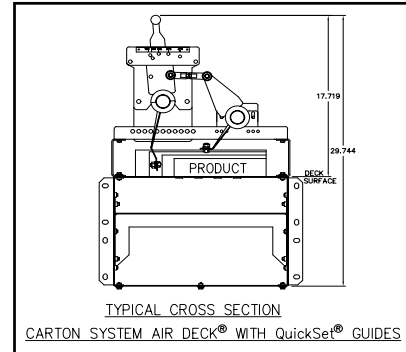


QuickSet® GUIDES

Patent #'s: 5,551,555 6,059,096

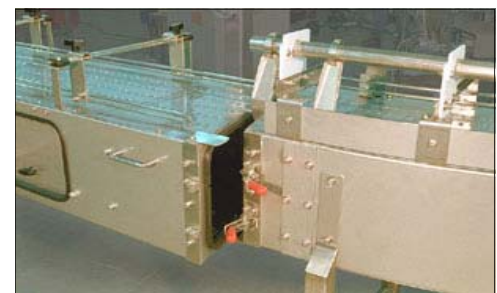
AIR DECK



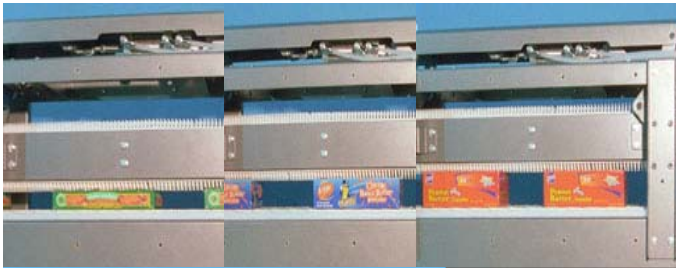
Metering Belt

Available on **STANDARD HORIZONTAL SIDE GRIP** and **STANDARD VERTICAL SIDE GRIP "S" and "C" Style Metering Belts**

- **Manually Adjusts Up To 100 Feet of Straight Guide Rails In Less Than 5 Seconds...Multiple Lanes As Well**
- **Adjusts Top And Side Guide Rail At The Same Time**
- **Use On AIR DECK®, Table Top And Other Systems**
- **Retrofits To Existing Conveyors**
- **Connects To Adjacent Straight Sections And Automatically Adjusts With Them**



QuickSet® Passageway AIR DECK®



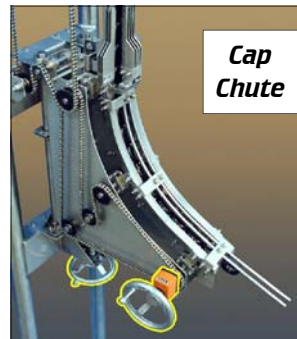
**"CP-2K"
Product Lift
Accommodates 3
Sizes of Over-
wrapped or Un-
wrapped Trays**



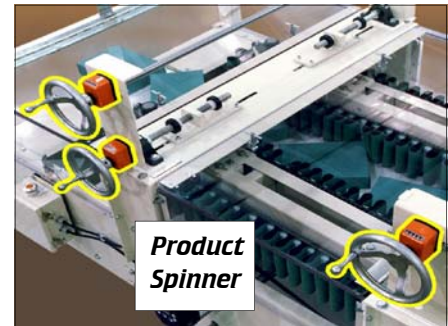
**Case Lift
Accommodates 2
Sizes of Product**



T 2 Size PE on Mat Top



**Cap
Chute**



**Product
Spinner**



**QuickSet® on AIR DECK® for PET
Containers**

**AIR DECK® with top QuickSet®
Guides to accommodate 3 sizes
Of PET containers-Adjusts 300
feet of conveyor in 6 seconds!**



**Pneumatically Actuated QuickSet®
Guides on AIR DECK®**



QuickSet® Guides On LBP